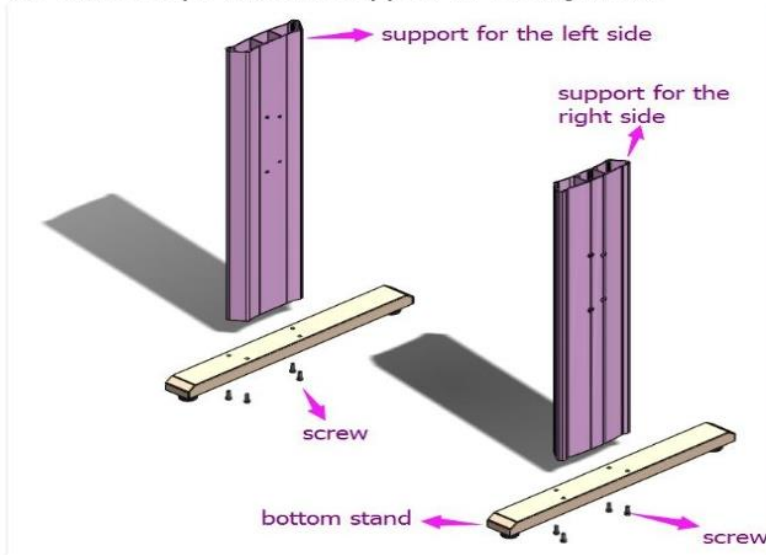


Stand Assembly

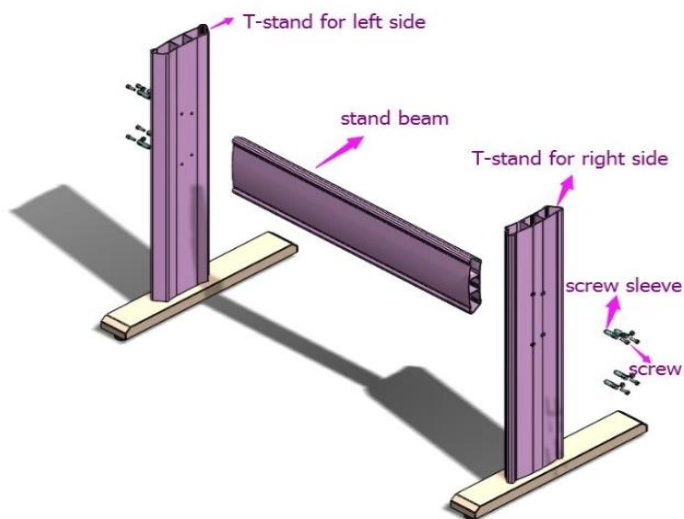
Step1

Position the support for the left side perpendicularly to the bottom stand and place the screws into the holes. Tighten them to form a left T-stand. Repeat the same steps with the support for the right side



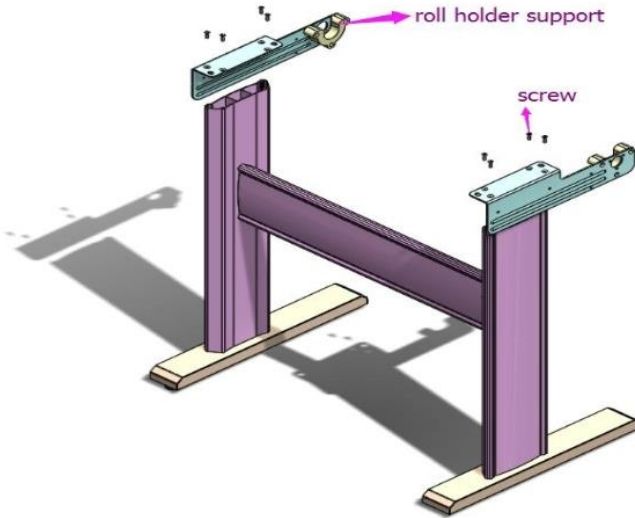
Step2

Place the stand beam upright on the T-stand and put the screws into the holes, but don't tighten them at this step. Repeat the same steps with any additional stand beams.



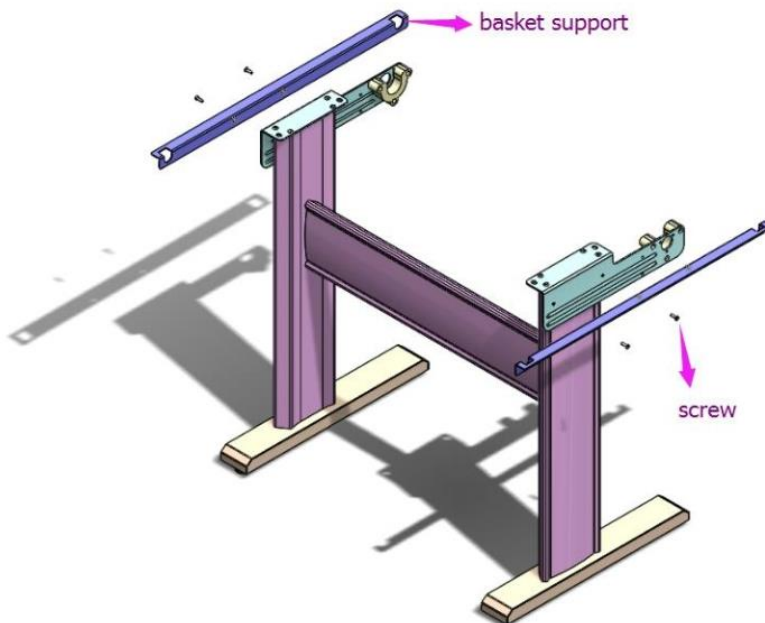
Step3

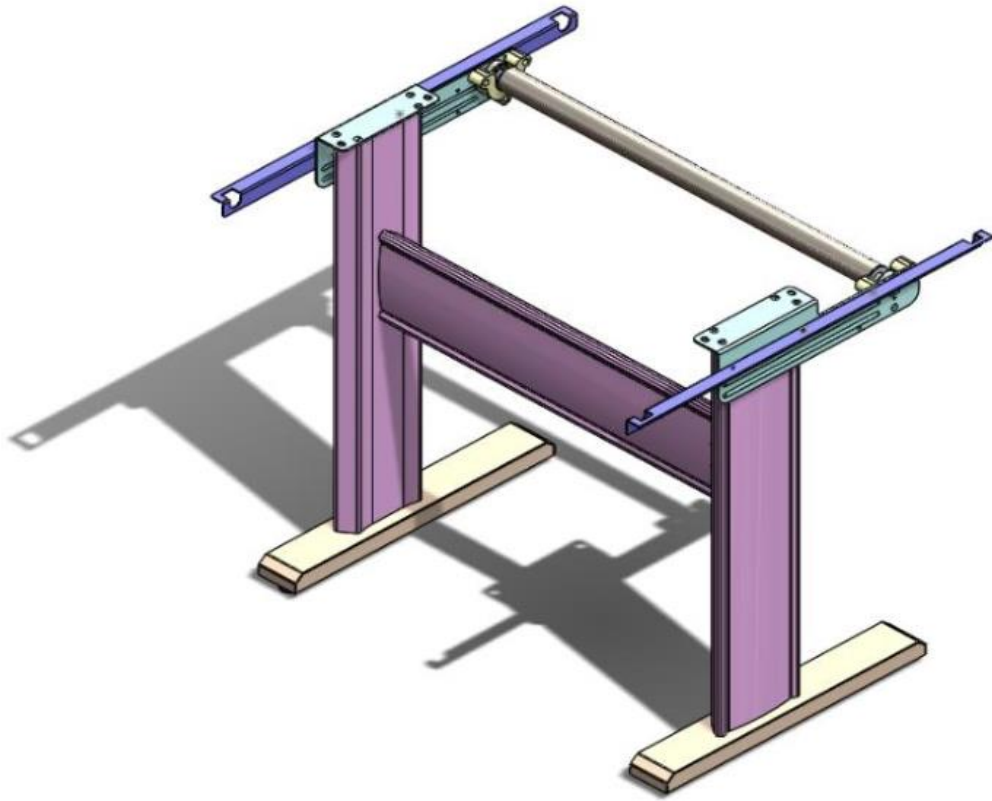
Position the roll holder support's to floor stand as shown below, and tighten screws.



Step4

Place two roll holders into the holes in the roll holder support.





Step5

Installing the floor stand to the machine.



Remove the four nuts from the bottom of the machine mounting bolts and insert the bolts from the bottom of the machine to the top of floor stand by placing the cutter on the stand and aligning the four bolts with the slots in the stand mounting flanges. Secure the machine to the stand using the nuts that were removed from the mounting bolts.